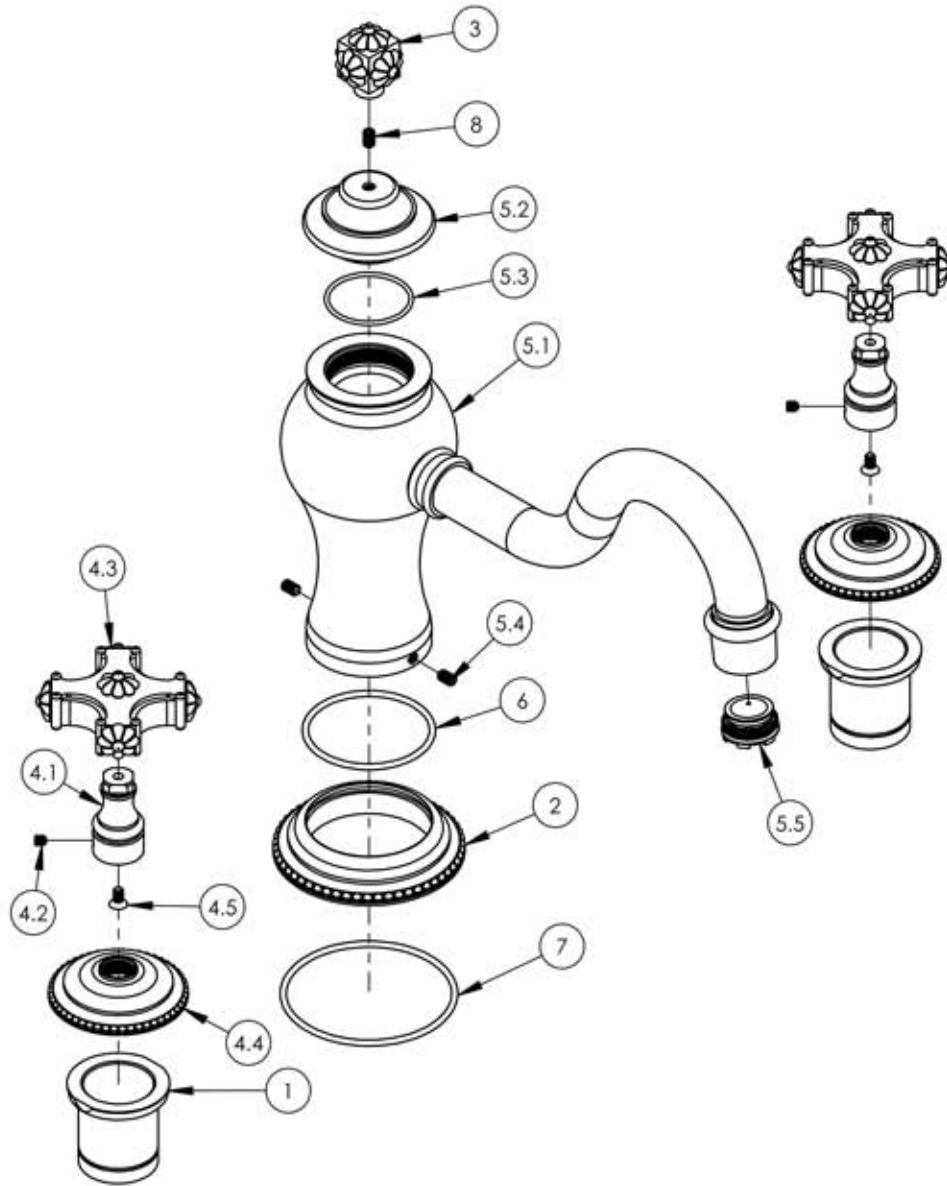


A

B

C

D



ITEM NO.	PART NUMBER	DESCRIPTION	QTY.
1	11077	SLEEVE MOUNT, DECK (ROMAN) TUB	2
2	11310/00	ESCUTCHEON, DECK TUB, BEADED	1
3	2-115/00	SUB-ASSY. FINIAL POP-UP, MARVELLE SERIES	1
4	3-029/00	CROSS HANDLE, MARVELLE SERIES	2
4.1	10542/00	BASE HANDLE, CROSS MARVELLE	1
4.2	92008	SET SCREW, CUP POINT 8-32	2
4.3	2-114/00	SUB-ASSY. HANDLE CROSS, MARVELLE SERIES	1
4.4	10540/00	ESCUTCHEON, MARVELLE SERIES	1
4.5	92146	SCREW, FLAT HD, 8-32 x 5/16"L	1
5	3-397	SUB ASSY. DECK TUB SPOUT	1
5.1	2-155	SUB ASSY. BRAZED BODY AND SPOUT, COURONNE/MARVELLE SERIES	1
5.2	11305/00	SPOUT CAP, DECK TUB	1
5.3	90028	O-RING, 1-3/8"ID X 1/16"THK, AS-568-028	1
5.4	92060	SET SCREW, 10-24 5/16"L	2
5.5	P05051	AERATOR, CACHE COINED SLOT M24X1.0 FULL FLOW	1
6	90137	O-RING, 2-1/16"ID X 3/32"THK., AS-568-137	1
7	90149	O-RING, 2-13/16" ID X 3/32" THK, AS-568-149	1
8	92060	SET SCREW, 10-24 5/16"L	1

E

ALL	A	-ASSY. UPDATED WITH SUB ASSY'S	12/4/2015	GRE
ZONE	REV.	DESCRIPTION	DATE	APPROVED

REVISIONS

1261 LOGAN AVENUE
COSTA MESA, CALIFORNIA 92626
PHONE: 714.361.4800
FAX: 714.617.3120

PHYLORICH®

Defining Luxury Since 1959

PROPRIETARY AND CONFIDENTIAL

THE INFORMATION CONTAINED IN THIS DRAWING IS THE SOLE PROPERTY OF R3S MANUFACTURING. ANY REPRODUCTION IN PART OR AS A WHOLE WITHOUT THE WRITTEN PERMISSION OF R3S MANUFACTURING IS PROHIBITED.

NEXT ASSY		USED ON		INTERPRET GEOMETRIC DIMENSIONING & TOLERANCING IN ACCORDANCE WITH ASME Y14.5-2009 & ASME Y14.41-2003 STANDARDS, UNLESS OTHERWISE SPECIFIED. DIMENSIONS ARE IN INCHES. TOLERANCES ARE:			DECK TUB SET, CROSS HANDLES, MARVELLE SERIES		
MATERIAL	APPLICATION	FRACTIONS ±1/64"	DECIMALS X.X: ±.1 X.XX: ±.01 X.XXX: ±.005	ANGULAR ±.5°	SIZE	ASM/PRT NO.	REV		
					A	162-40/00	A		
FINISH	DRAWN	LLO	10/16/2015	NAME	DATE	SCALE: 1:3.25		WEIGHT: lbs.	SHEET 1 OF 2
	CHECKED	GRE							

DO NOT SCALE DRAWING

5

4

3

2

1